

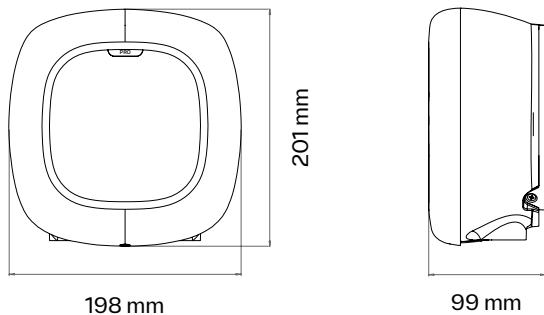
Technical Datasheet

General Specifications

Model	Pulsar Pro
Colour	Black/Grey
Cable Length	5 m/7 m
Charging Mode (IEC 61851-1)	Mode 3
Dimensions	198x201x99 mm
Weight	1.3kg (without cable)
Operating Temperature	-30°C to 50°C
Storage Temperature	-40°C to 70°C
Standards	CE, UKCA, EAC and RCM Mark. IEC 61851-1, IEC 61851-21-2, IEC 62196, BS 7671, IEC 60364. RED Directive 2014/53/EU and RoHS Directive 2011/65/EU
Cybersecurity	Tamper detection, secure update, secure boot, secure storage & encrypted communications

Compliant with UK regulations on smart charging ^[1]

Dimensions



^[1]UK Only
^[2]According to local regulation
^[3]Require an additional meter

Electrical Specifications

Charging Power	7,4 kW	22 kW
Rated Voltage AC ± 10%	230 V	400 V
Rated Current	32 A (1P)	32 A (3P)
Connector Type (IEC 62196)	Type 2	
Cable Width	Up to 13 mm ²	
Configurable Current	From 6 A to rated current	
Rated Frequency	50 Hz / 60 Hz	
Protection Rating	IP55 / IK10	
Surge Category	CAT III	
Residual Current Detection	DC 6 mA	
RCD	RCD Type A is required ^[2]	
Internal metering	Class A (Error ≤ 2%). Factory calibrated	

Communications & User Interface

Connectivity	4G, Wi-Fi, Bluetooth
User Identification	myWallbox App & Portal, RFID
User Interface	myWallbox App & Portal
External communication interface	OCPP, partner API and SDK
Charger Status Information	Halo RGB LED, myWallbox App & Portal
Included Features	Schedules, Statistics, lock/unlock/autolock, charger remote control, User Management, Pay per month, Pay per charge, Power Sharing
Optional Features ^[3]	Power Boost, Dynamic Power Sharing, Eco-Smart, external MID
HW ready features	NFC

Part Number Structure

A B D F
C E

Wall Box Chargers S.L.U. Made in Spain
 Pased Castellana, 95-PLT 28, 28046 Madrid, Spain 2023-06
SN: 123456 **UID: ABCDEFGH**

PN: PPR1-X-X-X-XXX REV X Pulsar Pro
 Input/Output: 230/400VAC, 50/60Hz, 32A, XP+N+PE
 Outdoor use IP55, IK10
 IEC 61439-7
 -30°C to 50°C

	Code	Definition
A Model	PPR1	Pulsar Pro
B Cable	0	5m
	M	7m
C Connector	2	Type 2
D Power	2	7,4kW
	4	22kW
E Product Version	K	Residual Current Detection (DC 6mA) + 4G + RFID
	T	Residual Current Detection (DC 6mA) + Earthing protection + 4G + RFID
F Custom	XXX	Colours