

Pulsar Plus Socket

Technical Datasheet

General Specifications

Model	Pulsar Plus Socket
Colour	Black
Charging mode	Mode 3 (IEC 61851-1)
Connector type	Type 2 shutter ¹ (IEC 62196-2)
Dimensions	204.3x313x142.5 mm
Weight	2.5Kg
Operating Temperature	-30° C to 40° C (50° C with derating)
Storage Temperature	-40° C to 70° C
Standards	2014/53/EU (RED) 2011/65/EU (RoHS)

Electrical Specifications

Charging Power	7,4kW²	11kW³	22kW
Rated Voltage AC ± 10%	230V	380-400V	380-400V
Rated Current	32 A (1P)	16A (3P)	32A (3P)
Cable Width	up to 10		
Configurable Current	from 6A to rated current		
Rated Frequency	50Hz / 60Hz		
Protection Rating	IP55 / IK10		
Surge Category	CAT III		
Residual Current Detection	AC 30 mA / DC 6 mA ⁴		
RCCB	External RCCB required ⁵		

Part Number Structure

A B C E D F

Wall Box Chargers S.L.U. Made in Spain
 Paseo Castellana 95-PLT 28, 28046 Madrid, Spain 2023-12

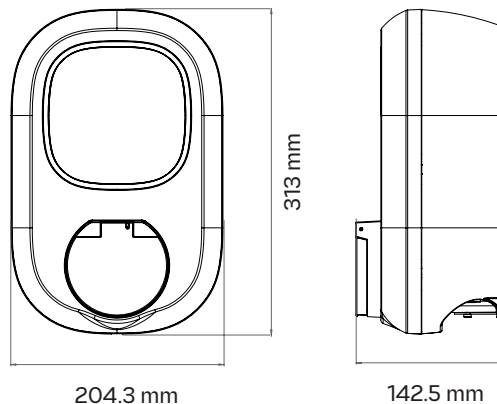
SN: 1234567 UID: ABCDEFGH

PN: PSP1-W-2-X-9-XX2 REV X Pulsar Plus Socket
 Input/Output: 230/400VAC, 50/60Hz, 32A, XP+N+PE
 Outdoor use IP55, IK10
 IEC 61439-7
 -30°C to 40°C

User Interface, Connectivity & Energy Management

Connectivity	Wi-Fi, Bluetooth
User Identification	myWallbox App & Portal
Free User Interface	myWallbox App & Portal
Free User Interface	OCPP 1.6j, Partner API
Charger Status Information	Halo RGB LED, myWallbox App & Portal
Included Features	Schedules, Statistics, Lock/Unlock/Autolock, Charger remote control, Automated Payments, Power Sharing, Charging cable lock
Optional Features	Power Boost, Dynamic Power Sharing, Eco-Smart, External MID

Dimensions



	Code	Definition
A Model	PSP1	Pulsar Plus Socket
B Cable	W	Socket with shutter
C Connector	2	Type 2
D Power	4	22kW
E Additional Feature	9	Residual Current Detection (AC 30 mA / DC 6 mA)
F Custom	XX2	Black

¹ Compliant with NFC15-100.

² Pulsar Plus Socket (22kW) can be installed in a single phase installation (see installation guide).

³ Pulsar Plus Socket (22kW) charger limited to 11kW during installation.

⁴ Internal RDC-DD meets tripping time characteristics according to IEC 62955.

⁵ Type A or Type B according to local regulations.